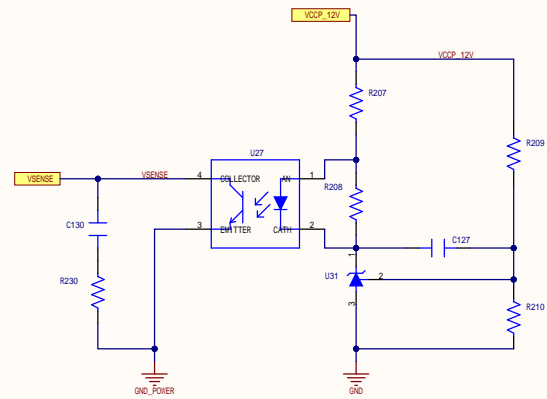
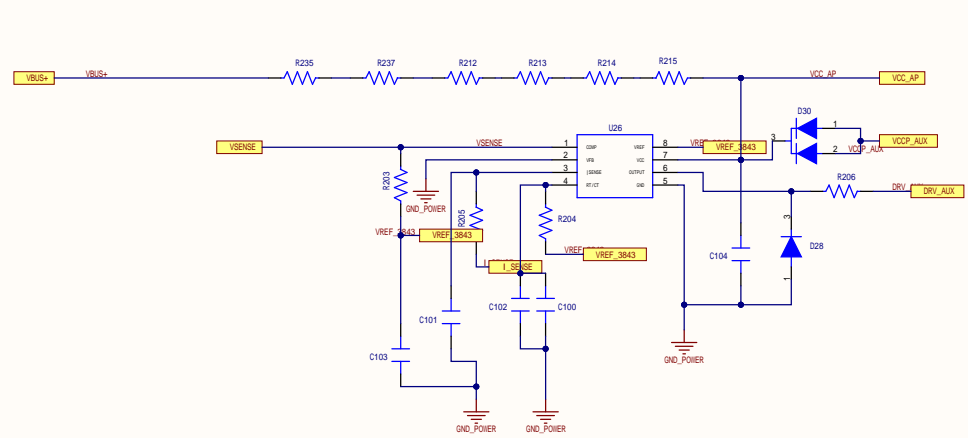
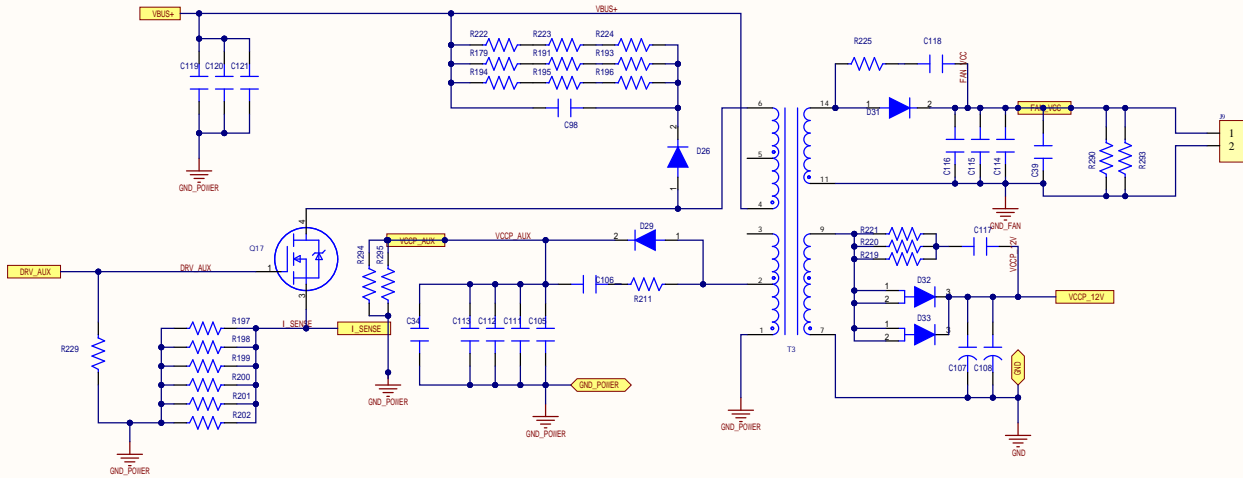
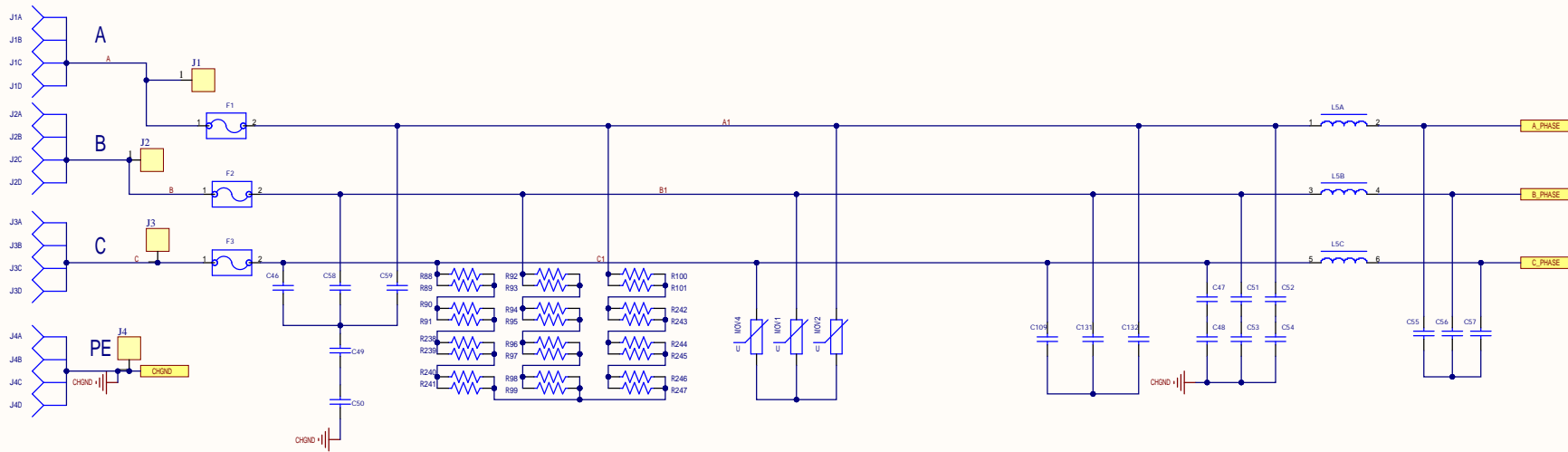


TITLE:	
DRAWING NAME:	
DRAWN:	DATED:
CHECKED:	DATED:
RELEASED:	DATED:
Size	Number
REV:	Revision
Date: 6/11/2024	Sheet of
File: D:\新项目\我司方形5KW-1_副本\ALIBR-POWER.SchDoc	1

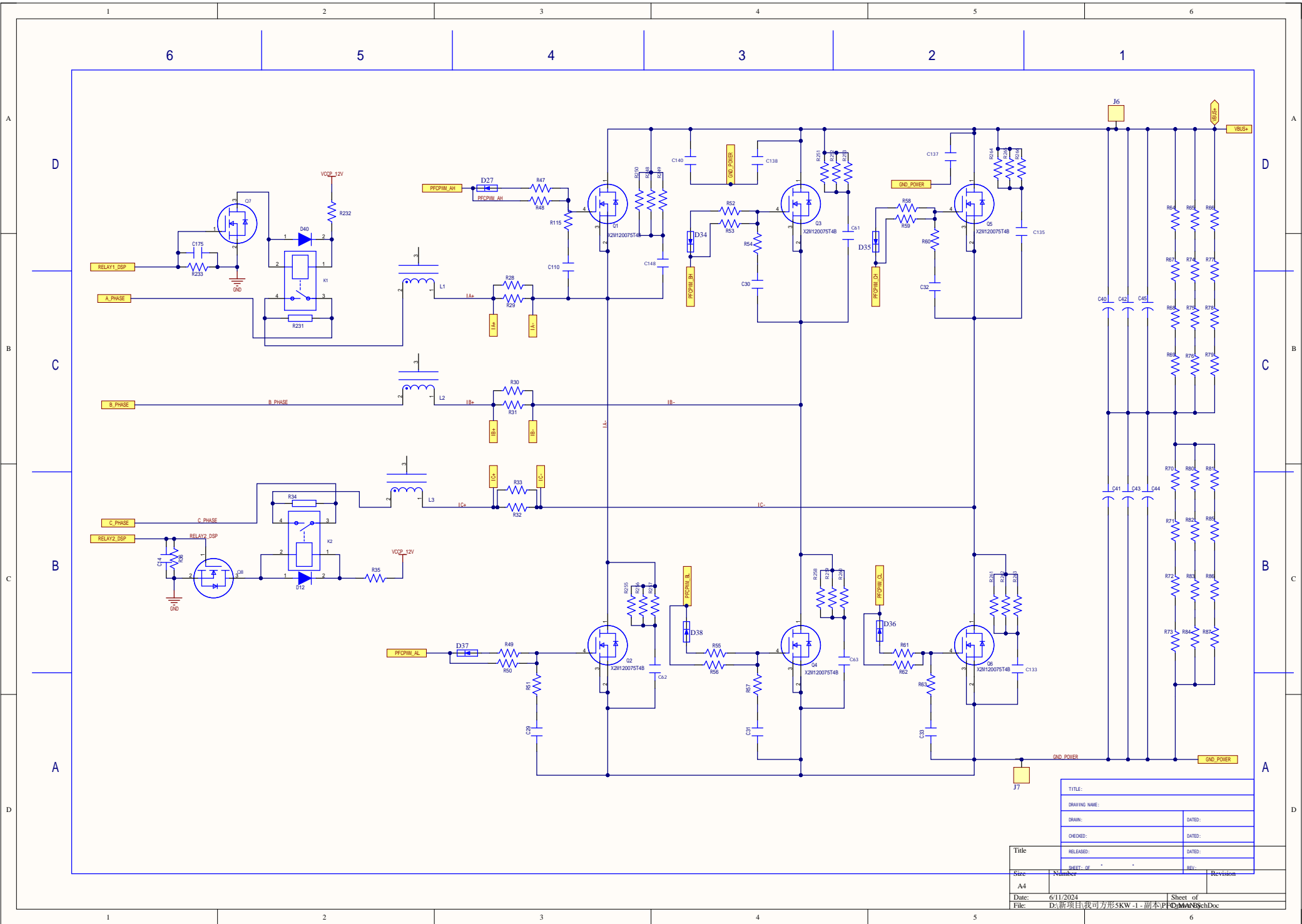


TITLE:		
DRAWING NAME:		
DRAWN:	DATED:	
CHECKED:	DATED:	
RELEASED:	DATED:	
SHEET OF	REV:	
Number		
Revision		
Date:	6/11/2024	Sheet of
File:	D:\新项目1\AUX_POWER1.SchDoc	Drawn By:



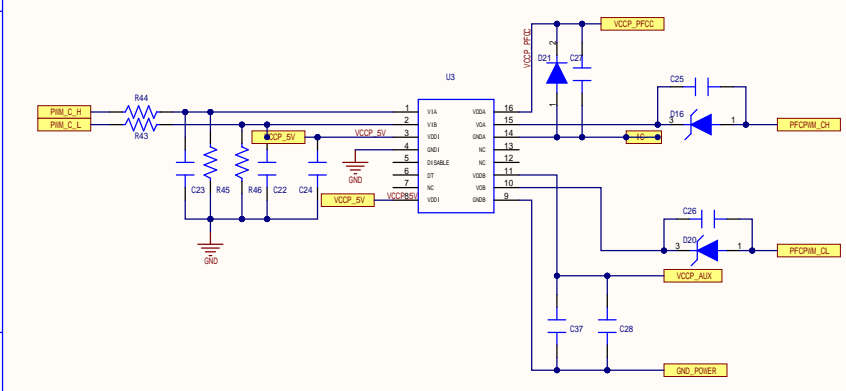
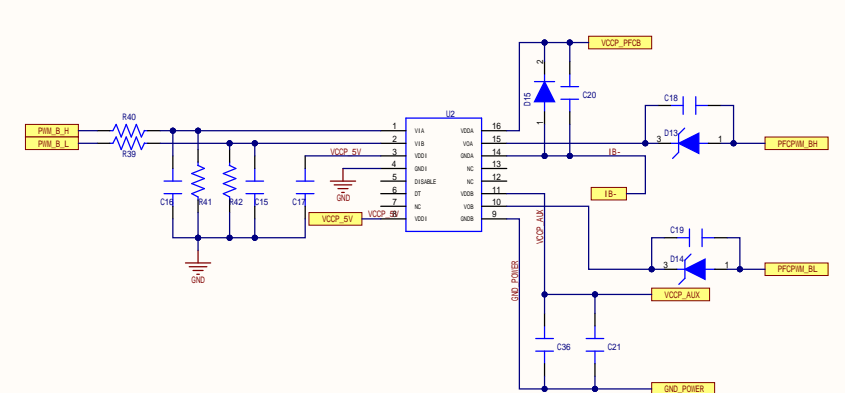
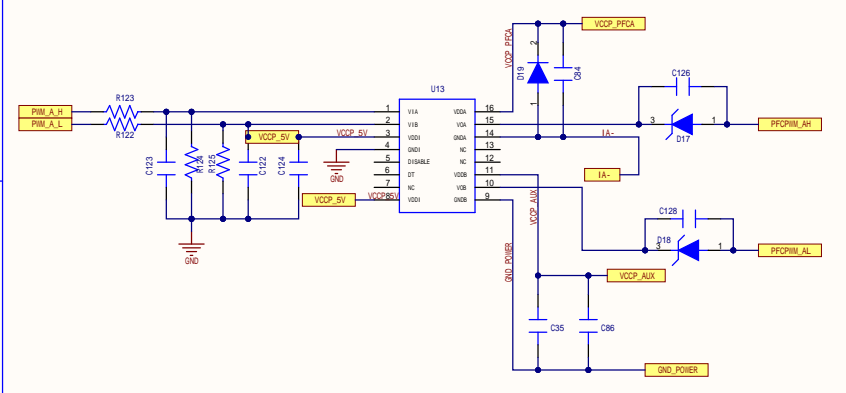
TITLE:	
DRAWING NAME:	
DRAWN:	DATED:
CHECKED:	DATED:
RELEASED:	DATED:

Title	Number	REV:	Revision
A4			



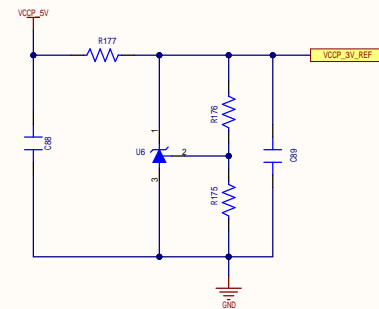
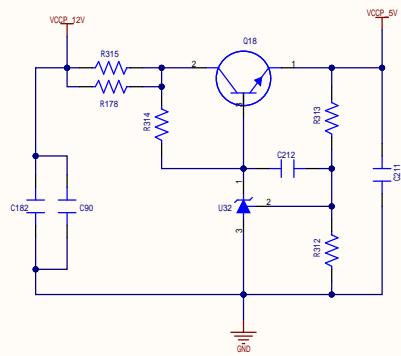
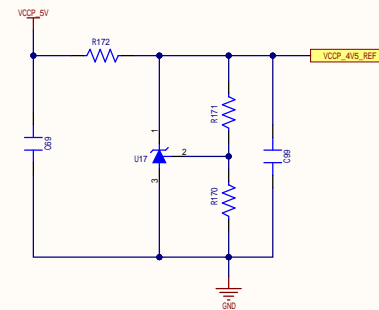
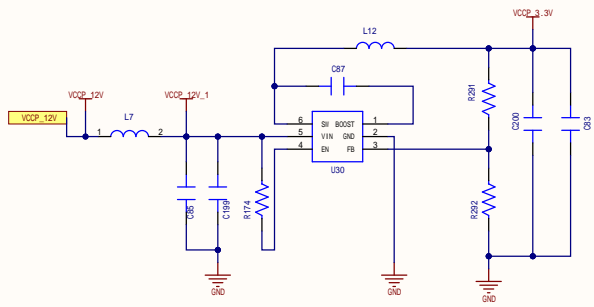
TITLE:	
DRAWING NAME:	
DRAWN:	DATED:
CHECKED:	DATED:
RELEASED:	DATED:
SHEET OF	REV:

Title	Number	Revision
A4		
Date: 6/11/2024	Sheet of	
File: D:\新项目\我司\方形5KW-1_副本\PCB\MANUSchDoc		



TITLE:	
DRAWING NAME:	
DRAWN:	DATED:
CHECKED:	DATED:
RELEASED:	DATED:
SHEET OF -	
REV:	REVISION

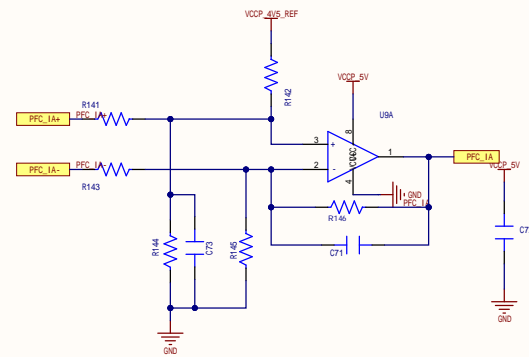
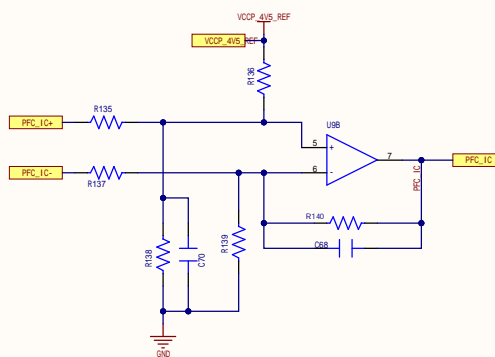
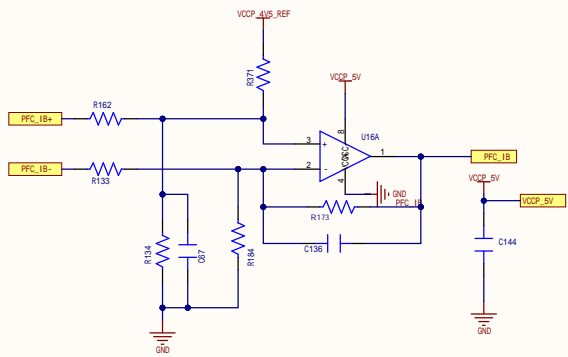
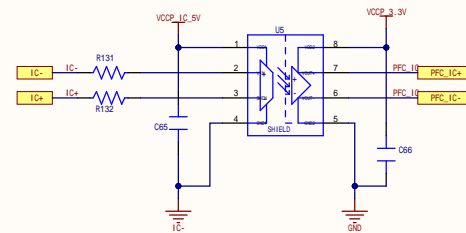
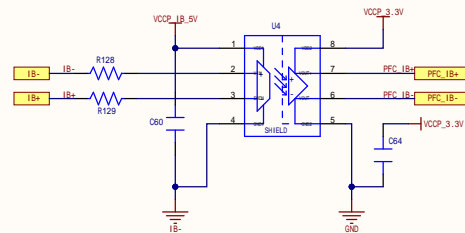
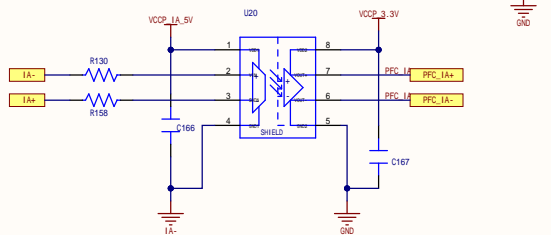
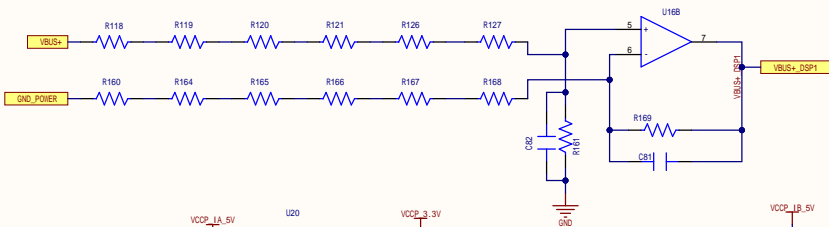
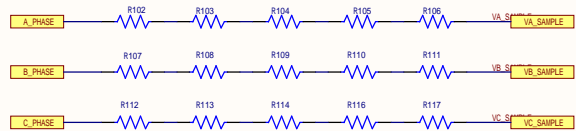
Title	Number	Revision
A4		
Date:	6/11/2024	Sheet of
File:	D:\新项目\我司\方形SKW-1-副本\PCB\DRIN\B\SchDoc	



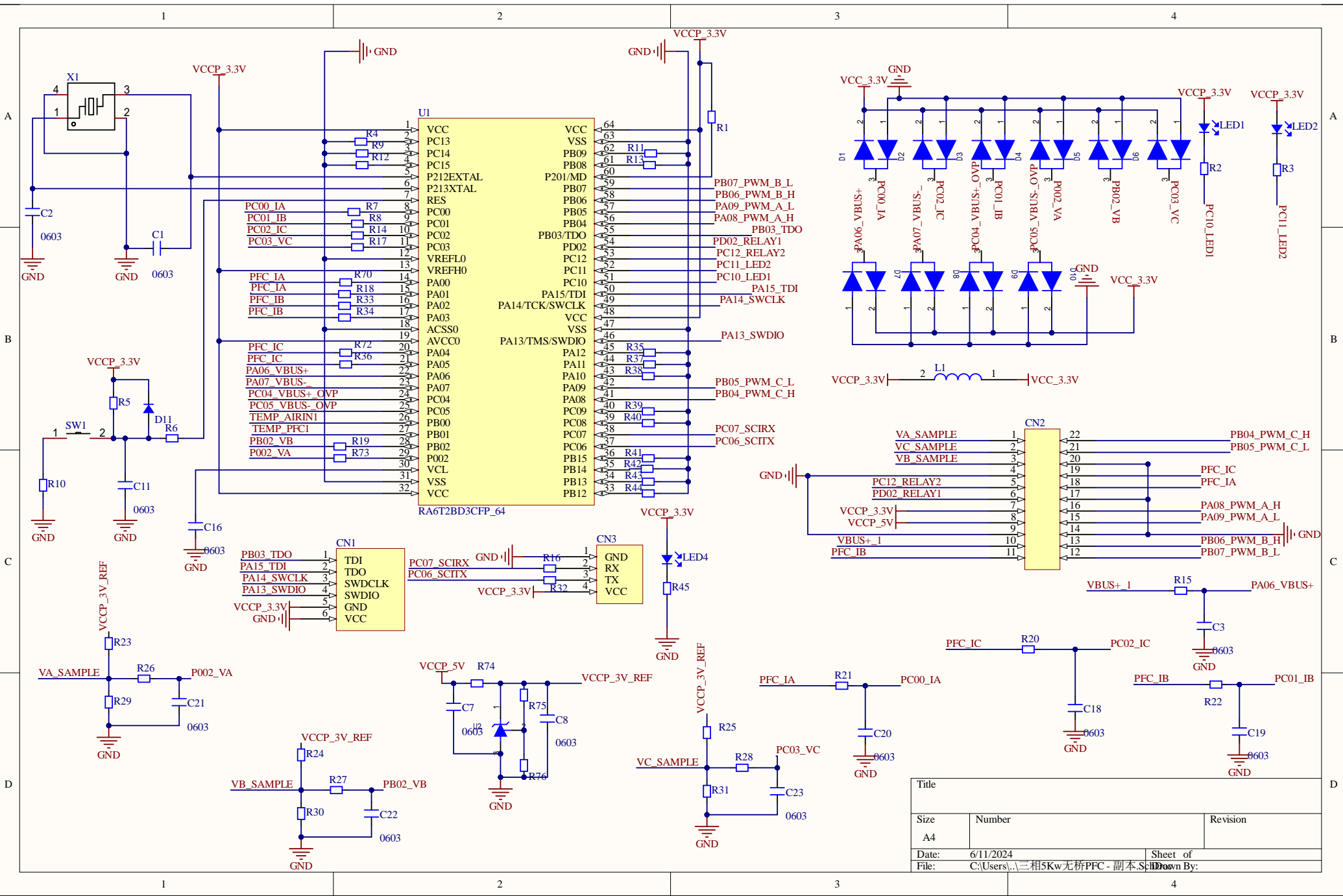
TITLE:	
DRAWING NAME:	
DRAWN:	DATED:
CHECKED:	DATED:
RELEASED:	DATED:

Title	Number	Revision

Size	A4	
Date	6/11/2024	Sheet of
File	D:\新项目\我司方形5KW-1-副本-REV001.BschDoc	



TITLE:	
DRAWING NAME:	
DRAWN:	DATED:
CHECKED:	DATED:
RELEASED:	DATED:
SHEET: OF	REV:



Title		
Size	Number	Revision
A4		
Date:	6/11/2024	Sheet of
File:	C:\Users\...\三相5kw无桥PFC - 副本.SchDrawn By:	